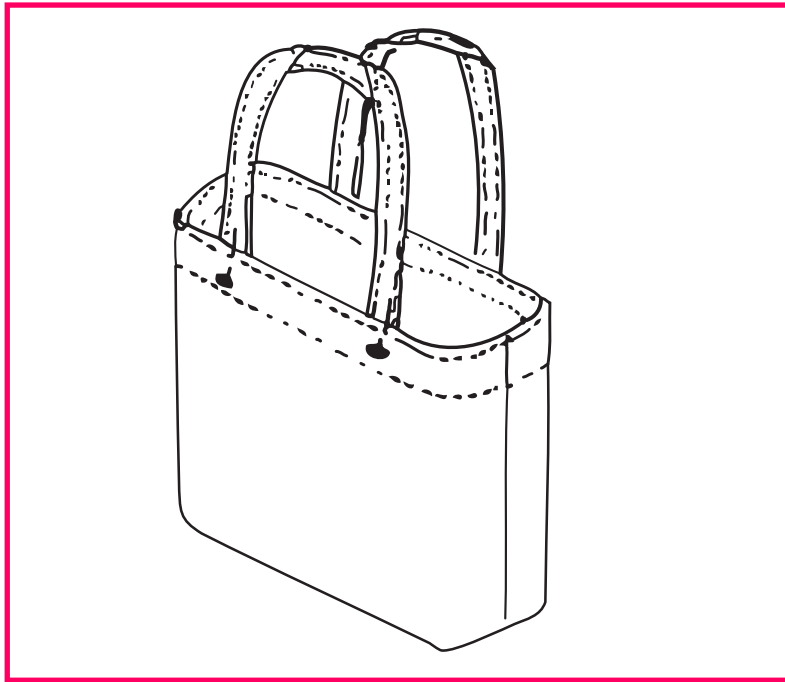


sewing patterns part 3

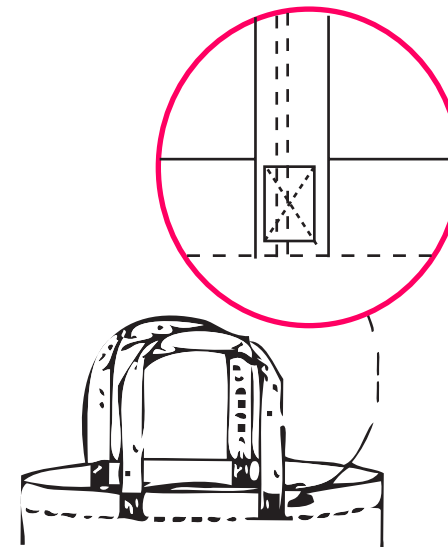


turn bag right side out

pull straps to the right side and pin into place

topstitch top of bag close to the edges (stitching through the straps at the same time)

if you wish to reinforce straps further, try this..



stitch handle ends to bag close to edges, stitching a rectangle and diagonally from corner to corner (see illustration)

repeat for other handle

